

## Datasheet

Subject to technical alteration  
Issue date: 05.07.2017



## Application

Adjustable differential pressure switch PS for monitoring differential pressure of air and other non-flammable and non-aggressive gases. Possible applications: Monitoring of air filters, fans, industrial cooling air cycles, flows in ventilation ducts.

## Types Available

### Differential pressure switch

PS<type>

<type>: 300 | 500 | 600 | 1500 | 4500

## Security Advice – Caution



The installation and assembly of electrical equipment should only be performed by authorized personnel.

The product should only be used for the intended application. Unauthorised modifications are prohibited! The product must not be used in relation with any equipment that in case of a failure may threaten, directly or indirectly, human health or life or result in danger to human beings, animals or assets. Ensure all power is disconnected before installing. Do not connect to live/operating equipment.



**CAUTION! Risk of electric shock due to live components within the enclosure, especially devices with mains voltage supply (usually between 90..265 V).**

Please comply with

- Local laws, health & safety regulations, technical standards and regulations
- Condition of the device at the time of installation, to ensure safe installation
- This data sheet and installation manual

## Notes on Disposal



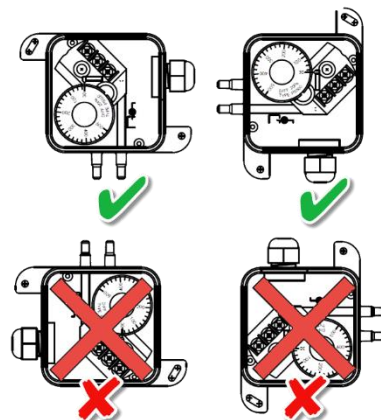
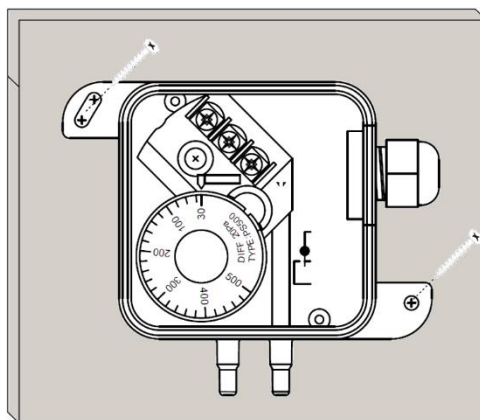
As a component of a large-scale fixed installation, Thermokon products are intended to be used permanently as part of a building or a structure at a pre-defined and dedicated location, hence the Waste Electrical and Electronic Act (WEEE) is not applicable. However, most of the products may contain valuable materials that should be recycled and not disposed of as domestic waste. Please note the relevant regulations for local disposal.

## Technical Data

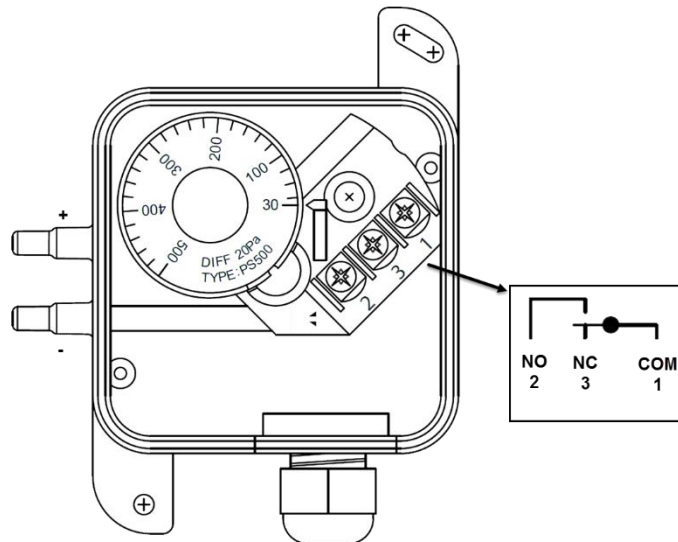
Measuring values		differential pressure
Medium		air, non-aggressive gases, non-flammable gases
Output switch contact		NO/NC circuit, switching difference
	PS300..500	20 Pa
	PS600	30 Pa
	PS1500	80 Pa
	PS4500	180 Pa
Measuring range pressure	PS300	30..300 Pa
	PS500	30..500 Pa
	PS600	40..600 Pa
	PS1500	100..1500 Pa
	PS4500	500..4500 Pa
Accuracy pressure	PS300..600	typ. $\pm 5$ Pa
	PS1500	typ. $\pm 10$ Pa
	PS4500	typ. $\pm 50$ Pa
Max. working overpressure		50 kPa
Switching values	PS300..PS4500	switching load, max. 250 V 3 A resistive load, 2 A inductive load miniature switches: silver contacts, PS200 gold contacts, service life: >1.000.000 switching operations
Enclosure		ABS, cover PC, membrane silicone
Protection		IP54 according to EN 60529
Cable entry		M16 for cable max. $\varnothing=8$ mm
Connection electrical		Screw terminal block, max. 1,5 mm <sup>2</sup>
Connection mechanical		connection pressure: ABS, tube: PVC soft
Ambient conditions		-20..+60 °C, 0..85% rH short term condensation
Weight		150 g
Delivery content		2 fixing screws, 2 plastic duct connectors, 2 m PVC-tube soft, $\varnothing=4/7$ mm

## Mounting Advices

To be installed flush mounted in vertical position, either the pressure inlets or the electrical cable downwards.



## Connection Plan



When differential pressure increases:

- ➔ 1-3 open
- ➔ 1-2 closed

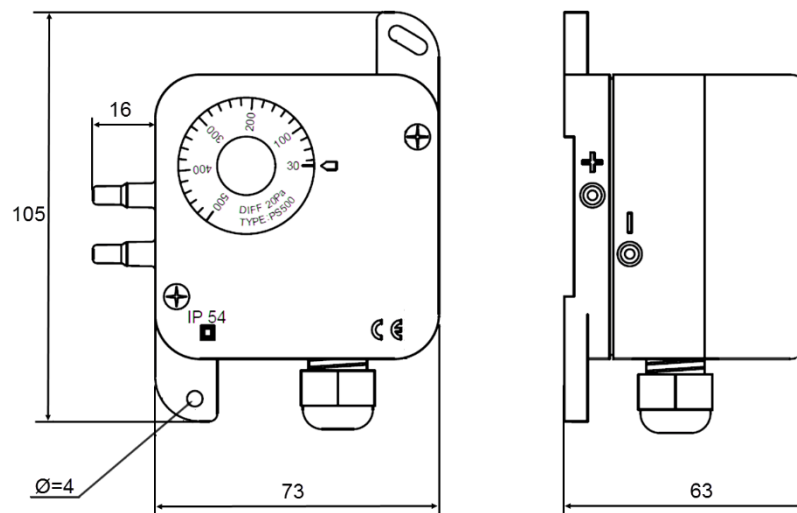
## Commissioning

1. Open the lid.
2. Select the desired switching point by turning the selection wheel.
3. Route the cables through the strain relief and connect the cables properly to the terminal block.
4. Close the lid.

**CAUTION! – Apply power supply only, if the device has been installed correctly!**

Before installing the device, please check the leak tightness of the pressurized connection lines.

## Dimensions (mm)



## Accessories (optional)

- 2 fixing screws
- 2 plastic duct connectors
- 2 m PVC-tube soft,  $\varnothing=4/7$  mm
- Metal duct connectors MKS40 (L=40 mm)
- Metal duct connectors MKS100 (L=100 mm)

- included in delivery
- included in delivery
- included in delivery
- Item No. 265138
- Item No. 302531